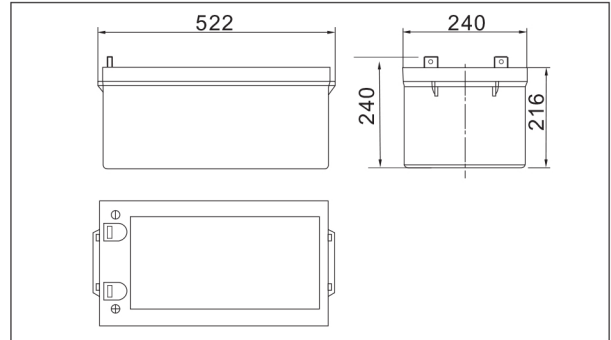


**NP12-200(12V200AH)**



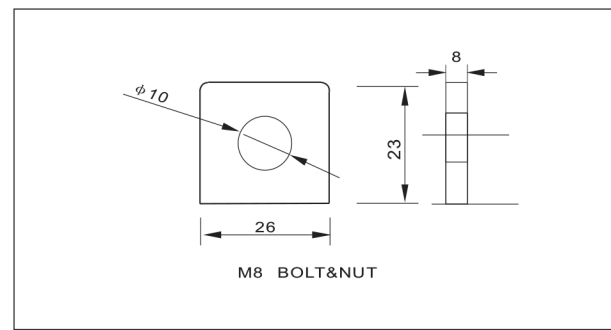
● **Outer dimensions (mm)**



● **Specifications**

Nominal Voltage		12V
Rated capacity (10 hour rate)		200 Ah
Dimensions	Total Height	240mm (9.45inches)
	Height	216mm (8.50 inches)
	Length	522mm (20.6 inches)
	Width	240 mm (9.45 inches)
Weight Approx		60Kg (132lbs)

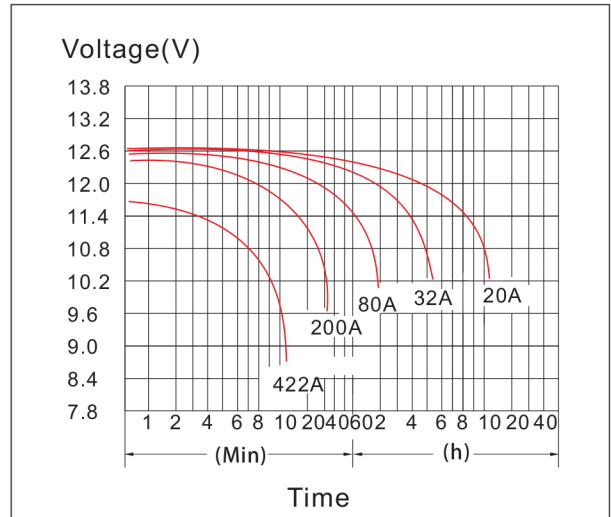
● **Terminal Type (mm)**



● **Characteristics**

Capacity 25°C(77°F)	10 hour rate(20 A)	200 AH
	5 hour rate(32A)	160 AH
	1 hour rate(120 A)	120 AH
	1.5 hour discharge to 10.5V	80 A
Internal Resistance	Full charged Battery at 25°C(77°F)	3.8mΩ
Capacity affected by Temperature (10hour rate)	40°C(104°F)	102%
	25°C(77°F)	100%
	0°C(32°F)	85%
	-15°C(5°F)	65%
Self-Discharge at 25°C(77°F)	Capacity after 3 month storage	91%
	Capacity after 6 month storage	82%
	Capacity after 12 month storage	64%
Terminal		T11
Charge (constant Voltage)	Cycle	Initial Charging Current less than 80 A Voltage 14.40-14.80V(Time 14~16h)
	Float	Voltage 13.50-13.80V

● **Discharge Curves 25°C(77°F)**



Time	5min	10min	15min	30min	1h	2h	3h	4h	5h	8h	10h	20h	
9.60V	A	641	422	340	228.0	120.0	70.0	51.4	40.0	33.0	23.40	21.00	11.34
	W	6611	4507	3648	2451	1296	769	572	450	375	268	243	131.9
10.20V	A	620	381	320	218.0	112.8	66.8	50.0	39.0	32.4	22.80	20.60	11.00
	W	6626	4252	3585	2447	1276	770	579	453	378	267	242	129.0
10.50V	A	600	341	280	204.0	109.2	65.2	48.8	38.4	32.0	22.60	20.20	11.00
	W	6554	3875	3198	2348	1265	756	569	449	375	266	239	130.0
10.80V	A	578	321	260	188.0	105.6	63.6	47.6	37.8	31.2	22.00	20.00	10.80
	W	6490	3702	3000	2178	1229	745	561	446	369	261	238	128.6
11.10V	A	559	301	240	168.0	102.0	62.0	46.0	36.8	30.4	21.40	19.00	10.20
	W	6339	3483	2798	1966	1200	733	546	438	363	256	229.4	123.6