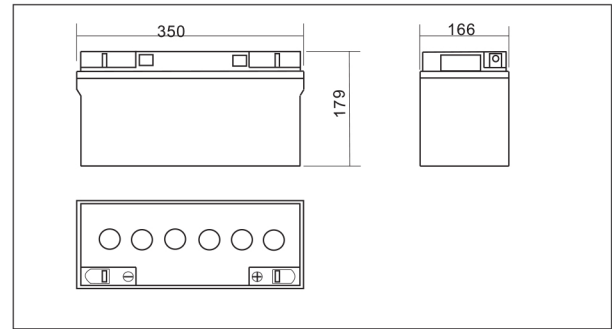


NP12-65(12V65AH)



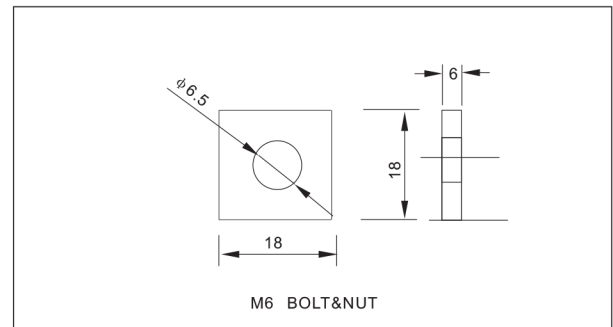
● Outer dimensions (mm)



● Specifications

| | | |
|-------------------------------|-------------------|----------------------|
| Nominal Voltage | 12V | |
| Rated capacity (10 hour rate) | 65 Ah | |
| Dimensions | Total Height | 179 mm (7.05 inches) |
| | Height | 179 mm (7.05 inches) |
| | Length | 350 mm (13.8 inches) |
| | Width | 166mm (6.54 inches) |
| Weight Approx | 20.5 Kg (45.1lbs) | |

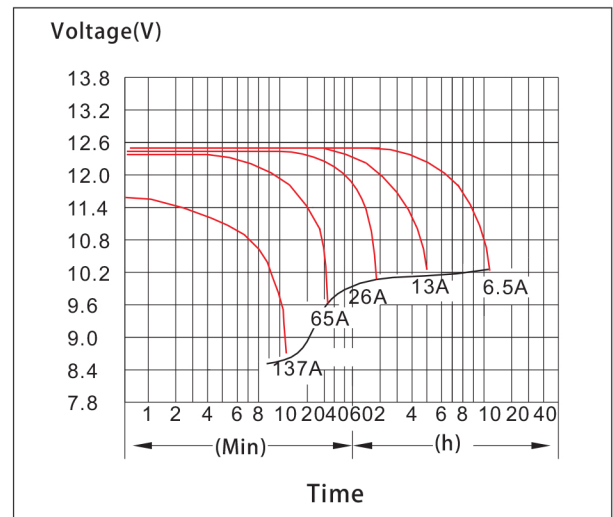
● Terminal Type (mm)



● Characteristics

| | | |
|--|------------------------------------|---|
| Capacity 25°C(77°F) | 10 hour rate(6.5 A) | 65 AH |
| | 5 hour rate(10.4 A) | 52 AH |
| | 1 hour rate(39.0 A) | 39 AH |
| | 1.5 hour discharge to 10.5V | 26 A |
| Internal Resistance | Full charged Battery at 25°C(77°F) | 5 mΩ |
| Capacity affected by Temperature (10hour rate) | 40°C(104°F) | 102% |
| | 25°C(77°F) | 100% |
| | 0°C(32°F) | 85% |
| | -15°C(5°F) | 65% |
| Self-Discharge at 25°C(77°F) | Capacity after 3 month storage | 91% |
| | Capacity after 6 month storage | 82% |
| | Capacity after 12 month storage | 64% |
| Terminal | T9 | |
| Charge (constant Voltage) | Cycle | Initial Charging Current less than 26 A Voltage 14.10-14.40V Time 10~12h |
| | Float | Voltage 13.50-13.80V |

● Discharge Curves 25°C(77°F)



Constant Current(Amp) and Constant Power(Watt) Discharge Table at 25°C(77°F)

| Time | 5min | 10min | 15min | 30min | 1h | 2h | 3h | 4h | 5h | 8h | 10h | 20h |
|--------|------|-------|-------|-------|------|------|------|------|------|------|------|------|
| 9.60V | A | 208 | 137 | 111 | 74.1 | 39.0 | 22.8 | 16.7 | 13.0 | 10.7 | 7.61 | 3.69 |
| | W | 2149 | 1465 | 1185 | 797 | 421 | 250 | 186 | 146 | 122 | 87 | 42.9 |
| 10.20V | A | 202 | 124 | 104 | 70.9 | 36.7 | 21.7 | 16.3 | 12.7 | 10.5 | 7.41 | 3.58 |
| | W | 2129 | 1382 | 1165 | 795 | 415 | 250 | 188 | 147 | 123 | 87 | 41.9 |
| 10.50V | A | 177 | 111 | 91 | 66.3 | 35.5 | 21.2 | 15.9 | 12.5 | 10.4 | 7.35 | 3.58 |
| | W | 1929 | 1259 | 1039 | 763 | 411 | 246 | 185 | 146 | 122 | 86 | 42.3 |
| 10.80V | A | 160 | 104 | 85 | 61.1 | 34.3 | 20.7 | 15.5 | 12.3 | 10.1 | 7.15 | 3.51 |
| | W | 1790 | 1203 | 975 | 708 | 399 | 242 | 182 | 145 | 120 | 85 | 41.8 |
| 11.10V | A | 115 | 98 | 78 | 54.6 | 33.2 | 20.2 | 15.0 | 12.0 | 9.9 | 6.96 | 3.32 |
| | W | 1300 | 1132 | 909 | 639 | 390 | 238 | 178 | 142 | 118 | 83 | 40.2 |

NOTE: FOR REFERENCE ONLY