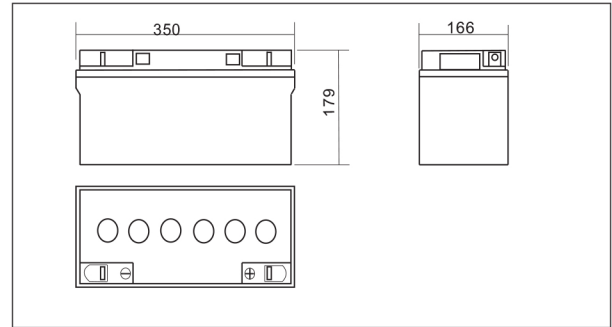


NP12-60(12V60AH)



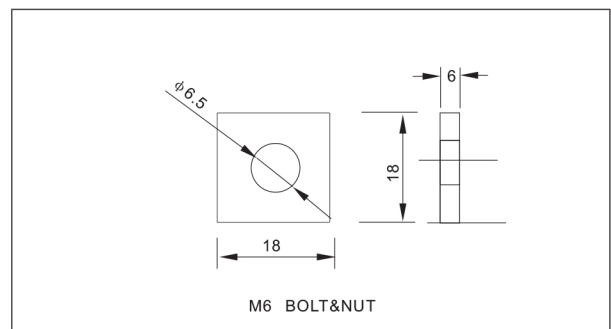
● **Outer dimensions (mm)**



● **Specifications**

Nominal Voltage		12V
Rated capacity (10 hour rate)		60Ah
Dimensions	Total Height	179mm (7.05 inches)
	Height	179mm (7.05 inches)
	Length	350mm (13.8 inches)
	Width	166mm (6.54 inches)
Weight Approx		19.4Kg (42.7lbs)

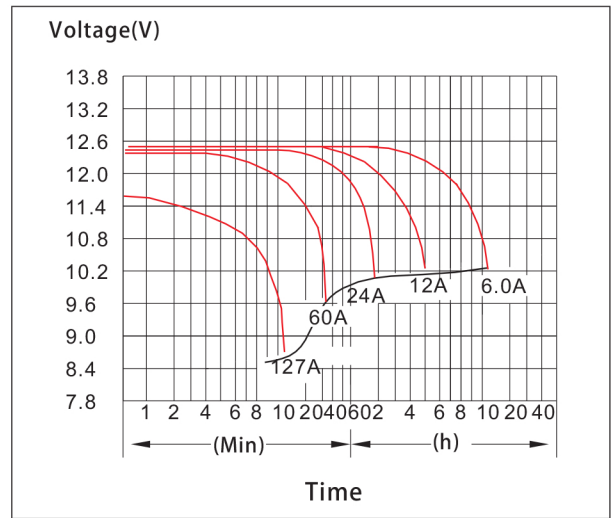
● **Terminal Type (mm)**



● **Characteristics**

Capacity 25°C(77°F)	10 hour rate(6.0 A)	60 AH
	5 hour rate(9.6 A)	48 AH
	1 hour rate(36 A)	36 AH
	1.5 hour discharge to 10.5V	24 A
Internal Resistance	Full charged Battery at 25°C(77°F)	8.7mΩ
Capacity affected by Temperature (10hour rate)	40°C(104°F)	102%
	25°C(77°F)	100%
	0°C(32°F)	85%
	-15°C(5°F)	65%
Self-Discharge at 25°C(77°F)	Capacity after 3 month storage	91%
	Capacity after 6 month storage	82%
	Capacity after 12 month storage	64%
Terminal		T7
Charge (constant Voltage)	Cycle	Initial Charging Current less than 24 A Voltage 14.10-14.40V Time 10~12h
	Float	Voltage 13.50-13.80V

● **Discharge Curves 25°C(77°F)**



Constant Current(Amp) and Constant Power(Watt) Discharge Table at 25°C(77°F)

Time		5min	10min	15min	30min	1h	2h	3h	4h	5h	8h	10h	20h
9.60V	A	192	127	102	68.4	36.0	21.0	15.4	12.0	9.9	7.02	6.30	3.40
	W	1983	1352	1094	735	389	231	172	135	113	80	73	39.6
10.20V	A	186	114	96	65.4	33.8	20.0	15.0	11.7	9.7	6.84	6.18	3.30
	W	1965	1276	1076	734	383	231	174	136	113	80	73	38.7
10.50V	A	163	102	84	61.2	32.8	19.6	14.6	11.5	9.6	6.78	6.06	3.30
	W	1781	1162	959	704	379	227	171	135	113	80	72	39.0
10.80V	A	147	96	78	56.4	31.7	19.1	14.3	11.3	9.4	6.60	6.00	3.24
	W	1653	1111	900	653	369	223	168	134	111	78	71	38.6
11.10V	A	106	90	72	50.4	30.6	18.6	13.8	11.0	9.1	6.42	5.70	3.06
	W	1200	1045	839	590	360	220	164	131	109	77	68.8	37.1