

NP12-24(12V24AH)



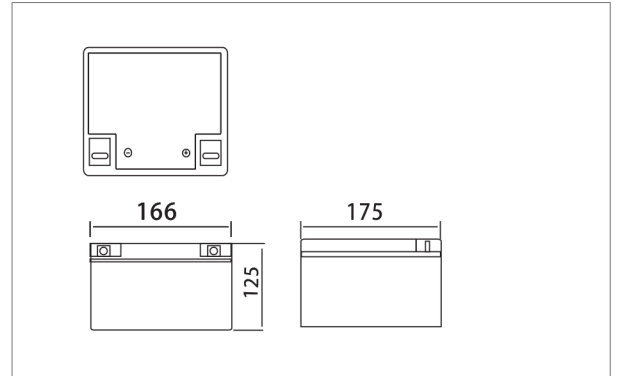
● **Specifications**

Nominal Voltage		12V
Rated capacity (20 hour rate)		24 Ah
Dimensions	Total Height	125 mm (4.92 inches)
	Height	125 mm (4.92 inches)
	Length	175 mm (6.89 inches)
	Width	166 mm (6.54 inches)
Weight Approx		7.6 Kg (16.7 lbs)

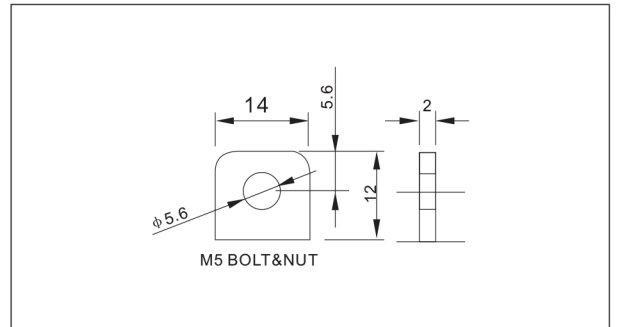
● **Characteristics**

Capacity 25°C(77°F)	20 hour rate(1.20 A)	24.0 AH
	10 hour rate(2.21 A)	22.1AH
	5 hour rate(4.08 A)	20.4 AH
	1 hour rate(14.4 A)	14.4 AH
	1.5 hour discharge to 10.5V	9.6 A
Internal Resistance	Full charged Battery at 25°C(77°F)	11mΩ
Capacity affected by Temperature (20hour rate)	40°C(104°F)	102%
	25°C(77°F)	100%
	0°C(32°F)	85%
	-15°C(5°F)	65%
Self-Discharge at 25°C(77°F)	Capacity after 3 month storage	91%
	Capacity after 6 month storage	82%
	Capacity after 12 month storage	64%
Terminal		T4
Charge (constant Voltage)	Cycle	Initial Charging Current less than 9.60 A Voltage 14.40-15.00V Time 14~16h
	Float	Voltage 13.50-13.80V

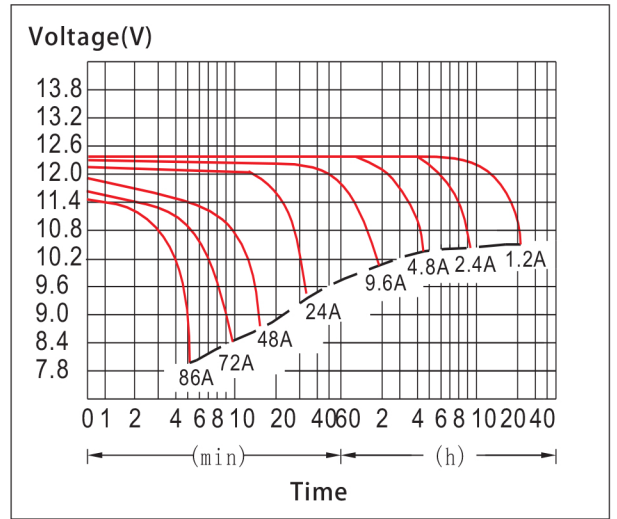
● **Outer dimensions (mm)**



● **Terminal Type (mm)**



● **Discharge Curves 25°C(77°F)**



Time	5min	10min	15min	30min	1h	2h	3h	4h	5h	8h	10h	20h	
9.60V	A	86.4	56.6	42.0	27.6	14.4	8.40	6.18	4.96	4.21	2.78	2.27	1.24
	W	897	608	450	297	156	92.2	68.8	55.8	47.9	31.9	26.2	14.4
10.20V	A	79.2	54.2	38.6	26.2	13.5	8.06	6.00	4.80	4.13	2.73	2.23	1.21
	W	851	606	432	294	153	92.9	69.5	55.8	48.1	31.9	26.2	14.2
10.50V	A	72.1	50.6	36.0	25.4	13.1	7.90	5.90	4.56	4.08	2.70	2.21	1.20
	W	792	576	411	292	151	91.6	68.7	53.4	47.8	31.8	26.1	14.2
10.80V	A	69.3	48.4	33.6	24.7	12.6	7.70	5.80	4.48	3.90	2.63	2.15	1.17
	W	777	558	387	286	147	90.2	68.4	52.9	46.1	31.2	25.6	13.9
11.10V	A	64.1	45.6	31.2	24.0	12.2	7.50	5.50	4.40	3.73	2.56	2.10	1.14
	W	727	528	363	281	143	88.7	65.3	52.4	44.5	30.7	25.4	13.8