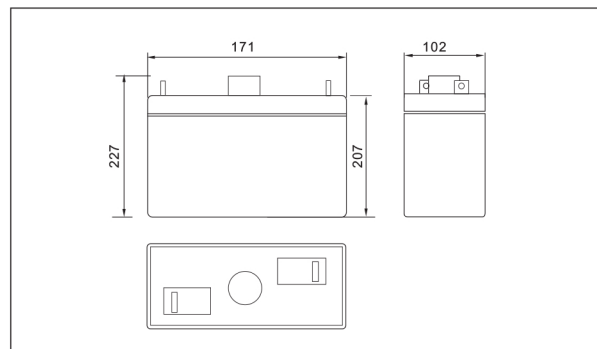


## NPG2-150(2V150AH)

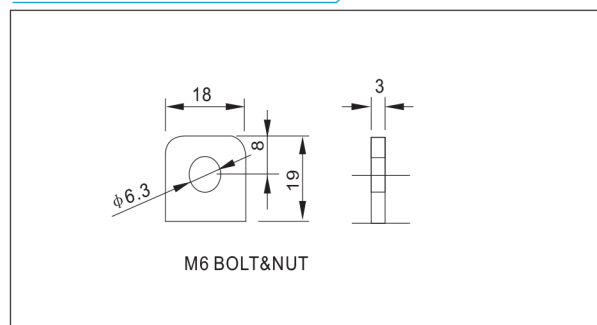
### Outer dimensions (mm)



### Specifications

Nominal Voltage	2 V	
Rated capacity (10 hour rate)	150 Ah	
Dimensions	Total Height	227mm (8.94inches)
	Height	207mm (8.15inches)
	Length	172mm (6.77inches)
	Width	102mm (4.02inches)
Weight Approx	9.0Kg(19.8lbs)	

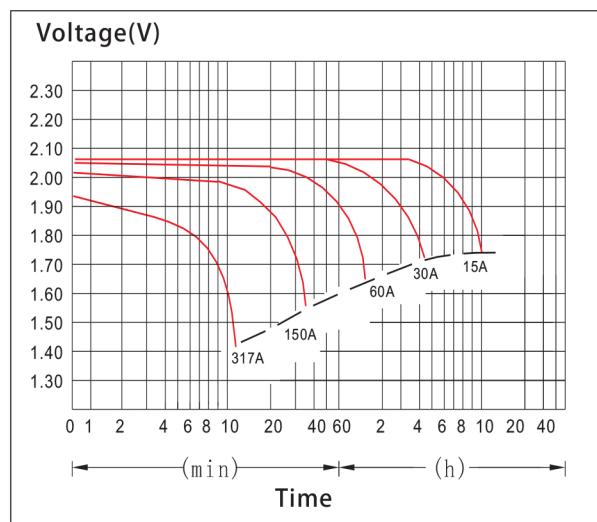
### Terminal Type (mm)



### Characteristics

Capacity 25°C(77°F)	10 hour rate(15 A)	150AH
	5 hour rate(24A)	120AH
	1 hour rate(90 A)	90AH
	1.5 hour discharge to 1.75 V	60 A
Internal Resistance	Full charged Battery at 25°C(77°F)	0.8m Ω
Capacity affected by Temperature (10hour rate)	40°C(104°F)	102%
	25°C(77°F)	100%
	0°C(32°F)	85%
	-15°C(5°F)	65%
Self-Discharge at 25°C(77°F)	Capacity after 3 month storage	91%
	Capacity after 6 month storage	82%
	Capacity after 12 month storage	64%
Terminal	T6	
Charge (constant Voltage)	Cycle	Initial Charging Current less than 60A Voltage 2.35-2.40V
	Float	Voltage 2.25-2.30V

### Discharge Curves 25°C(77°F)



Constant Current(Amp) and Constant Power(Watt) Discharge Table at 25°C(77°F)

Time		5min	10min	15min	30min	1h	2h	3h	4h	5h	8h	10h	20h
1.60V	A	480	317	255	171	90.0	52.5	38.6	30.0	24.8	17.6	15.8	8.51
	W	826	563	456	306	162	96.1	71.5	56.3	46.9	33.5	30.3	16.5
1.70V	A	465	286	240	164	84.6	50.1	37.5	29.3	24.3	17.1	15.5	8.25
	W	828	532	448	306	159	96.2	72.4	56.7	47.2	33.3	30.3	16.1
1.75V	A	450	255	210	153	81.9	48.9	36.6	28.8	24.0	17.0	15.2	8.25
	W	819	484	400	293	158	94.5	71.1	56.2	46.9	33.2	29.9	16.3
1.80V	A	434	241	195	141	79.2	47.7	35.7	28.4	23.4	16.5	15.0	8.10
	W	811	463	375	272	154	93.1	70.2	55.8	46.1	32.6	29.7	16.1
1.85V	A	419	226	180	126	76.5	46.5	34.5	27.6	22.8	16.1	14.3	7.65
	W	792	435	350	246	150	91.6	68.3	54.8	45.3	32.0	28.7	15.5