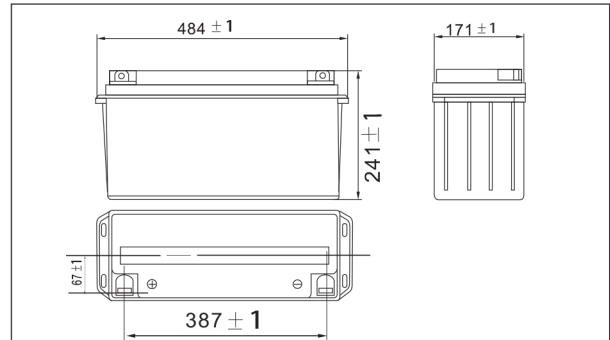


**NPG12-150(12V150AH)**



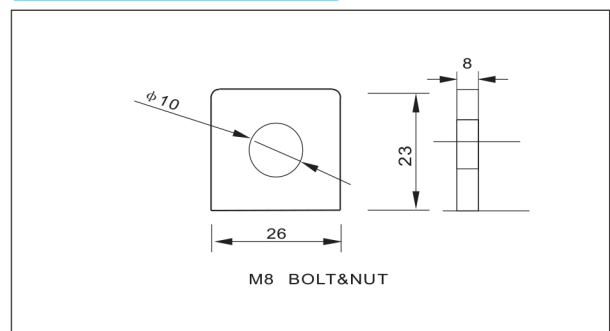
● **Outer dimensions (mm)**



● **Specifications**

Nominal Voltage		12V
Rated capacity (20 hour rate)		150 Ah
Dimensions	Total Height	241 mm (9.49inches)
	Height	241 mm (9.49 inches)
	Length	484 mm (19.1 inches)
	Width	171 mm (6.73 inches)
Weight Approx		42.5Kg (93.5lbs)

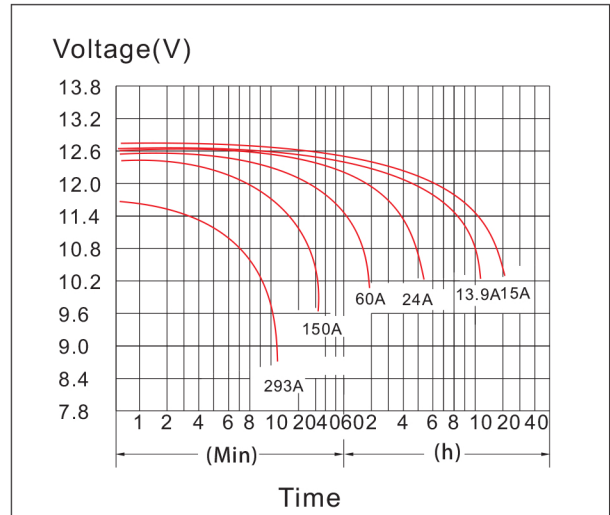
● **Terminal Type (mm)**



● **Characteristics**

Capacity 25°C(77°F)	20 hour rate(7.5 A)	150 AH
	5 hour rate(24 A)	120AH
	1 hour rate(82.5 A)	82.5 AH
	1.5 hour discharge to 10.5V	55 A
Internal Resistance	Full charged Battery at 25°C(77°F)	4.5mΩ
Capacity affected by Temperature (10hour rate)	40°C(104°F)	102%
	25°C(77°F)	100%
	0°C(32°F)	85%
	-15°C(5°F)	65%
Self-Discharge at 25°C(77°F)	Capacity after 3 month storage	91%
	Capacity after 6 month storage	82%
	Capacity after 12 month storage	64%
Terminal		T11
Charge (constant Voltage)	Cycle	Initial Charging Current less than 60 A Voltage 14.10-14.40V Time 14~16h
	Float	Voltage 13.50-13.80V

● **Discharge Curves 25°C(77°F)**



**Constant Current(Amp) and Constant Power(Watt) Discharge Table at 25°C(77°F)**

Time		5min	10min	15min	30min	1h	2h	3h	4h	5h	8h	10h	20h
9.60V	A	445	293	236	158.5	83.4	48.7	35.7	27.8	22.9	16.26	14.60	7.88
	W	4595	3132	2535	1704	901	534	398	313	261	186	169	91.6
10.20V	A	431	265	223	151.5	78.4	46.4	34.8	27.1	22.5	15.85	14.32	7.65
	W	4605	2955	2492	1701	887	535	402	315	263	185	168	89.7
10.50V	A	417	237	195	141.8	75.9	45.3	33.9	26.7	22.2	15.71	14.04	7.65
	W	4555	2693	2222	1632	879	526	395	312	261	185	166	90.4
10.80V	A	402	223	181	130.7	73.4	44.2	33.1	26.3	21.7	15.29	13.90	7.51
	W	4510	2573	2085	1514	854	518	390	310	256	181	165	89.4
11.10V	A	389	209	167	116.8	70.9	43.1	32.0	25.6	21.1	14.87	13.21	7.09
	W	4406	2421	1945	1366	834	509	380	305	252	178	159.4	85.9