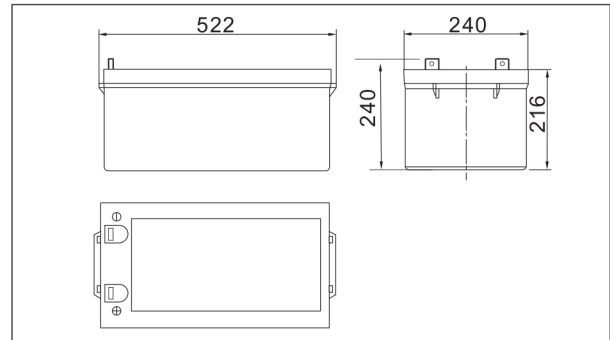


NPG12-200(12V200AH)



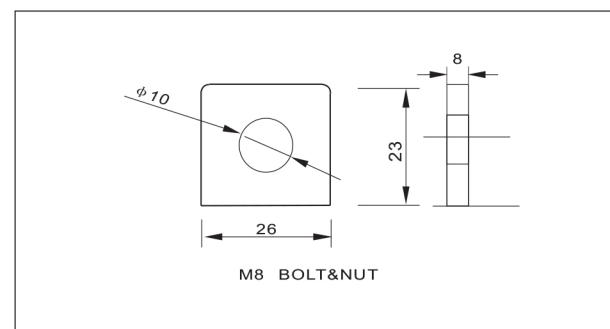
Outer dimensions (mm)



Specifications

Nominal Voltage		12V
Rated capacity (20 hour rate)		200 Ah
Dimensions	Total Height	240mm (9.45inches)
	Height	216mm (8.50 inches)
	Length	522mm (20.6 inches)
	Width	240 mm (9.45 inches)
Weight Approx		60Kg (132lbs)

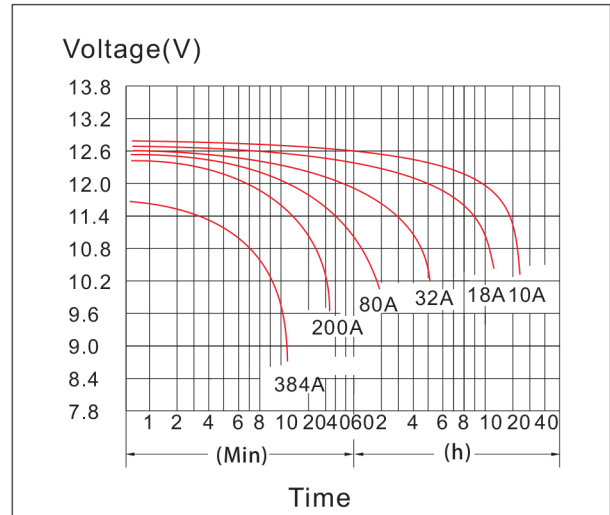
Terminal Type (mm)



Characteristics

Capacity 25°C(77°F)	20 hour rate(10 A)	200 AH
	5 hour rate(32A)	160 AH
Internal Resistance	1 hour rate(120 A)	120 AH
	1.5 hour discharge to 10.5V	80 A
Capacity affected by Temperature (10hour rate)	Full charged Battery at 25°C(77°F)	3.5mΩ
	40°C(104°F)	102%
	25°C(77°F)	100%
	0°C(32°F)	90%
Self-Discharge at 25°C(77°F)	-15°C(5°F)	75%
	Capacity after 3 month storage	91%
	Capacity after 6 month storage	82%
Terminal	Capacity after 12 month storage	64%
	T11	
Charge (constant Voltage)	Cycle	Initial Charging Current less than 80 A Voltage 14.10-14.40V Time 14~16h
	Float	Voltage 13.50-13.80V

Discharge Curves 25°C(77°F)



Constant Current(Amp) and Constant Power(Watt) Discharge Table at 25°C(77°F)

Time		5min	10min	15min	30min	1h	2h	3h	4h	5h	8h	10h	20h
9.60V	A	583	384	309	207.3	109.1	63.6	46.7	36.4	30.0	21.27	19.09	10.31
	W	6016	4097	3316	2228	1178	699	520	409	341	244	220	119.9
10.20V	A	565	347	292	198.4	102.6	60.8	45.5	35.5	29.5	20.75	18.75	10.01
	W	6030	3869	3263	2227	1161	701	527	413	344	243	220	117.4
10.50V	A	546	310	255	185.6	99.4	59.3	44.4	34.9	29.1	20.57	18.38	10.01
	W	5964	3526	2910	2136	1151	688	517	409	341	242	217	118.3
10.80V	A	526	292	237	171.1	96.1	57.9	43.3	34.4	28.4	20.02	18.20	9.83
	W	5906	3369	2730	1982	1119	678	511	406	336	237	216	117.1
11.10V	A	509	274	219	152.9	92.8	56.4	41.9	33.5	27.7	19.47	17.29	9.28
	W	5769	3170	2546	1789	1092	667	497	399	330	233	208.7	112.5