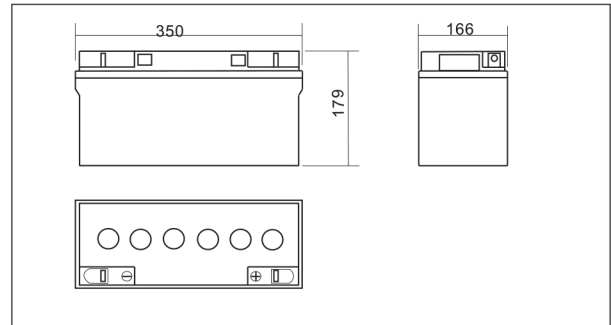


NPG12-65(12V65AH)



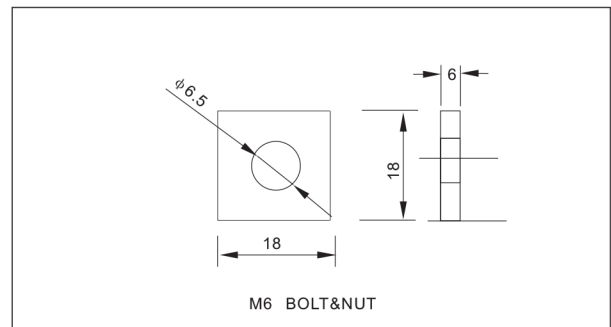
Outer dimensions (mm)



Specifications

Nominal Voltage		12V
Rated capacity (20 hour rate)		65 Ah
Dimensions	Total Height	179 mm (7.05 inches)
	Height	179 mm (7.05 inches)
	Length	350 mm (13.8 inches)
	Width	166mm (6.54 inches)
Weight Approx		20.5Kg (45.1lbs)

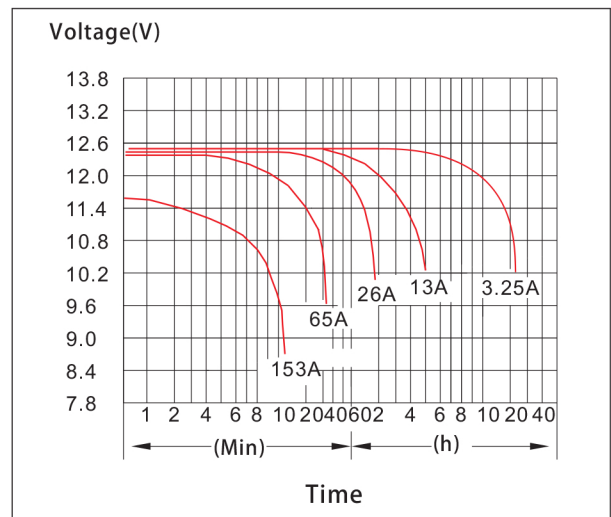
Terminal Type (mm)



Characteristics

Capacity 25°C(77°F)	10 hour rate(3.25A)	65 AH
	5 hour rate(10.4 A)	52 AH
	1 hour rate(39.0 A)	39 AH
	1.5 hour discharge to 10.5V	26 A
Internal Resistance	Full charged Battery at 25°C(77°F)	5.5mΩ
Capacity affected by Temperature (10hour rate)	40°C(104°F)	102%
	25°C(77°F)	100%
	0°C(32°F)	85%
	-15°C(5°F)	65%
Self-Discharge at 25°C(77°F)	Capacity after 3 month storage	91%
	Capacity after 6 month storage	82%
	Capacity after 12 month storage	64%
Terminal		T9
Charge (constant Voltage)	Cycle	Initial Charging Current less than 26 A Voltage 14.10-14.40V Time 10~12h
	Float	Voltage 13.50-13.80V

Discharge Curves 25°C(77°F)



Constant Current(Amp) and Constant Power(Watt) Discharge Table at 25°C(77°F)

Time		5min	10min	15min	30min	1h	2h	3h	4h	5h	8h	10h	20h
9.60V	A	234	153	113.8	74.8	39.0	22.8	16.7	13.4	11.40	7.53	6.15	3.36
	W	2429	1648	1220	804	421	250	186	151	130	86.3	71.0	39.1
10.20V	A	215	147	104.5	71.0	36.6	21.8	16.3	13.0	11.2	7.39	6.04	3.28
	W	2304	1641	1170	797	414	252	188	151	130	86.5	71.0	38.4
10.50V	A	195	137	97.5	68.8	35.4	21.4	16.0	12.4	11.1	7.31	5.98	3.25
	W	2144	1560	1113	792	410	248	186	144	130	86.0	70.8	38.4
10.80V	A	188	131	91.0	66.9	34.2	20.9	15.7	12.1	10.6	7.12	5.82	3.17
	W	2105	1512	1048	775	398	244	185	143	125	84.4	69.2	37.7
11.10V	A	174	124	84.5	65.0	33.0	20.3	14.9	11.9	10.1	6.93	5.69	3.09
	W	1968	1430	984	761	389	240	177	142	121	83.0	68.7	37.4