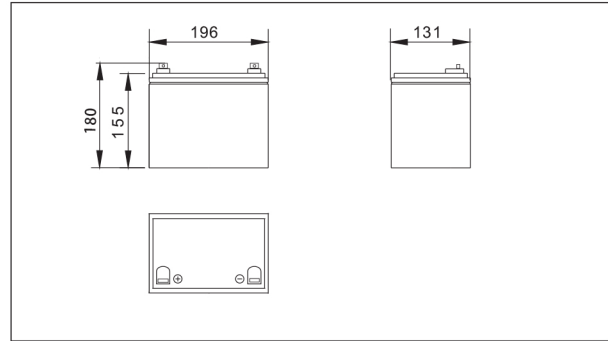


NPG12-31(12V31AH)



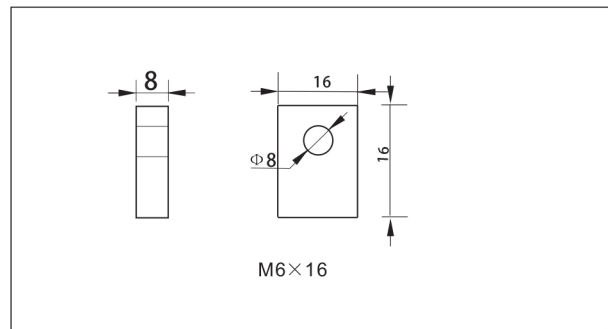
● **Outer dimensions (mm)**



● **Specifications**

Nominal Voltage		12V
Rated capacity (20 hour rate)		31 Ah
Dimensions	Total Height	170 mm (6.69 inches)
	Height	155 mm (6.10 inches)
	Length	196 mm (7.70 inches)
	Width	131mm (5.16 inches)
Weight Approx		10.4Kg (22.9lbs)

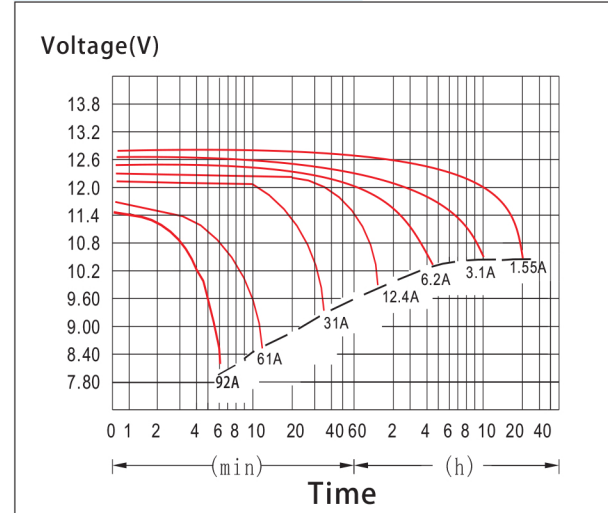
● **Terminal Type (mm)**



● **Characteristics**

Capacity 25°C(77°F)	20 hour rate(1.55 A)	31.0AH
	5 hour rate(5.0A)	25.0AH
	1 hour rate(18.6 A)	18.6AH
	1.5 hour discharge to 10.5V	12.4A
Internal Resistance	Full charged Battery at 25°C(77°F)	11.5m Ω
Capacity affected by Temperature (10hour rate)	40°C(104°F)	102%
	25°C(77°F)	100%
	0°C(32°F)	85%
	-15°C(5°F)	65%
Self-Discharge at 25°C(77°F)	Capacity after 3 month storage	91%
	Capacity after 6 month storage	82%
	Capacity after 12 month storage	64%
Terminal		T9, T16
Charge (constant Voltage)	Cycle	Initial Charging Current less than 12.4 A Voltage 14.10-14.40V Time 14~16h
	Float	Voltage 13.50-13.80V

● **Discharge Curves 25°C(77°F)**



Time		5min	10min	15min	30min	1h	2h	3h	4h	5h	8h	10h	20h
9.60V	A	92	60.8	49.0	32.8	17.3	10.1	7.40	5.76	4.75	3.37	3.02	1.63
	W	952	649	525	353	187	111	82.4	64.8	54.0	38.6	34.9	19.0
10.20V	A	90	54.8	46.1	31.4	16.2	9.6	7.20	5.62	4.67	3.28	2.97	1.58
	W	949	612	516	352	184	111	83.4	65.3	54.4	38.4	34.8	18.6
10.50V	A	86.4	49.0	40.3	29.4	15.7	9.4	7.03	5.53	4.61	3.25	2.91	1.58
	W	944	558	460	338	182	109	81.9	64.7	54.0	38.3	34.4	18.7
10.80V	A	83.3	46.2	37.5	27.1	15.2	9.2	6.85	5.44	4.49	3.17	2.88	1.56
	W	935	533	432	314	177	107	80.8	64.3	53.1	37.5	34.2	18.5
11.10V	A	80.5	43.3	34.6	24.2	14.7	8.9	6.62	5.30	4.38	3.08	2.74	1.47
	W	913	502	403	283	173	106	78.7	63.1	52.2	36.9	33.0	17.8

NOTE: FOR REFERENCE ONLY