

FEATURES

- The sulfuric acid is mixed with silica fume, which makes the resulting mass gel-like and immobile.
- Increased durability and deep cycle ability for heavy demand.
- High temperature stability, mechanical strength and low acid displacement.
- Superior performance with deep discharges.
- Patented safety valve to have accurate pressure operating for long battery life.

APPLICATION

- UPS
- Security
- Telecommunication
- Electronic Medical Equipment
- Emergency Lighting



SPECIFICATIONS

Nominal Voltage	12 V
Nominal Capacity	120 Ah @ 20 hour rate F.V.(1.75V/cell) 114 Ah @ 10 hour rate F.V.(1.80V/cell)
Approx. Weight	40Kg(88.18lbs.)
Terminals	I2
Internal Resistance	≤7mΩ (Fully Charged)
Max. Discharge Current	800 A (5 sec.)
Max. Charge Current	24.0 A
Self Discharge	< 2% per month (25°C)
Operating Temperature Range	-20°C~55°C(-4°F~131°F)
Container Material	Standard: ABS(UL 94-HB) GB 12/120 Optional: Flame Retardant ABS(UL 94-V0) GB 12/120FR

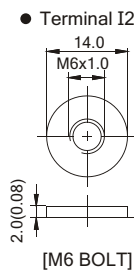
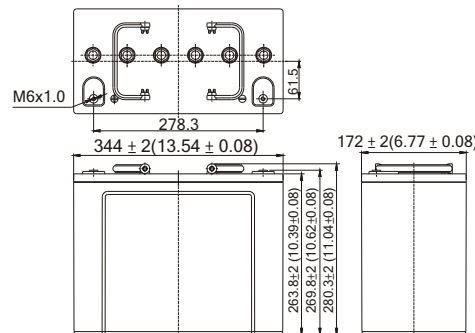
ISO9001	UL MH19884
ISO14001	CE C4M20310-2474-E-16
OHSMS	
● GB/T 19638.2-2005	
● IEC60896-21/22 2004	

DIMENSION(mm/inch)

OUTER DIMENSIONS

TERMINAL TYPE

- **Length**
344±2.0 (13.54±0.08)
- **Width**
172±2.0 (6.77±0.08)
- **Container Height**
263.8±2.0 (10.39±0.08)
- **Total Height**
280.3±2.0 (11.04±0.08)



Terminal Hardware Initial Torque: 5.5Nm±5%

Constant power discharge characteristics at 25 °C/77 °F

Unit: W

Discharge Time	30 Min	1 Hr	3 Hr	5 Hr	10 Hr	20 Hr
1.80V	1325	809	349.8	255.4	134.78	70.92
1.75V	1345	833	356.8	259.2	136.80	72.00
1.70V	1356	850	361.1	261.4	137.89	72.57
1.65V	1360	861	363.9	262.3	138.31	72.78
1.60V	1360	869	365.8	263.1	138.31	72.78

Constant current discharge characteristics at 25 °C/77 °F

Unit: A

Discharge Time	30 Min	1 Hr	3 Hr	5 Hr	10 Hr	20 Hr
1.80V	112.3	68.0	29.15	21.28	11.40	5.910
1.75V	114.0	70.0	29.73	21.60	11.45	6.000
1.70V	114.9	71.5	30.09	21.78	11.49	6.047
1.65V	115.2	72.3	30.33	21.86	11.53	6.065
1.60V	115.2	73.0	30.48	21.93	11.53	6.065

All data and artworks shall be changed without prior notice, BB reserves the right to explain and update the information contained hereinto.